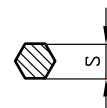
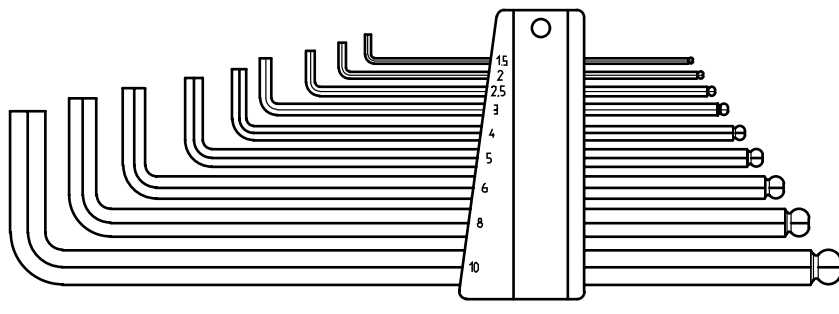
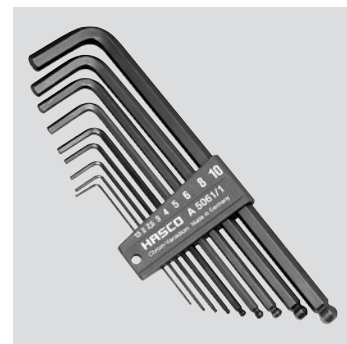


A 5061/...

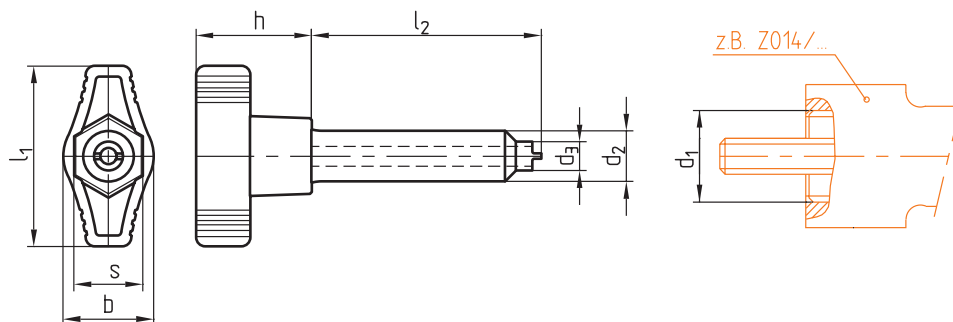
Mat.: Chrom-Vanadium Stahl
 Chrome Vanadium steel
 Acier au chrome-vanadium



Inhalt/Schlüsselweite S Contents/width across flats S Contenu/tailles S	Typ	Nr./No.
1,5; 2; 2,5; 3; 4; 5; 6; 8; 10 mm	1	A5061/1

A 5080/...

Mat.: Chrom-Vanadium Stahl
 Chrome Vanadium steel
 Acier au chrome-vanadium



l ₁	b	s	h	d ₂	d ₃	l ₂	d ₁	Nr./No.
50	25	19	32	14	8	63	M 10x1	A5080/63/10x1
					10		M 12x1	12x1
					12		M 14x1	14x1
63	30	24	40	18	16	63	M 18x1	18x1
					18		M 22x1,5	22x1,5

This is trial version
www.adultpdf.com